



QT EcoSEPARATE Separating Fire Wall Panel

QT Systems

PO Box 6249 Acacia Ridge DC Q 4110 Australia

Ph: +61 7 3272 3424 Fx: +61 7 3272 3406



Figure 3.2 - Fire/Acoustically Rated Sealant Location Details

Figure 3.2a - Section

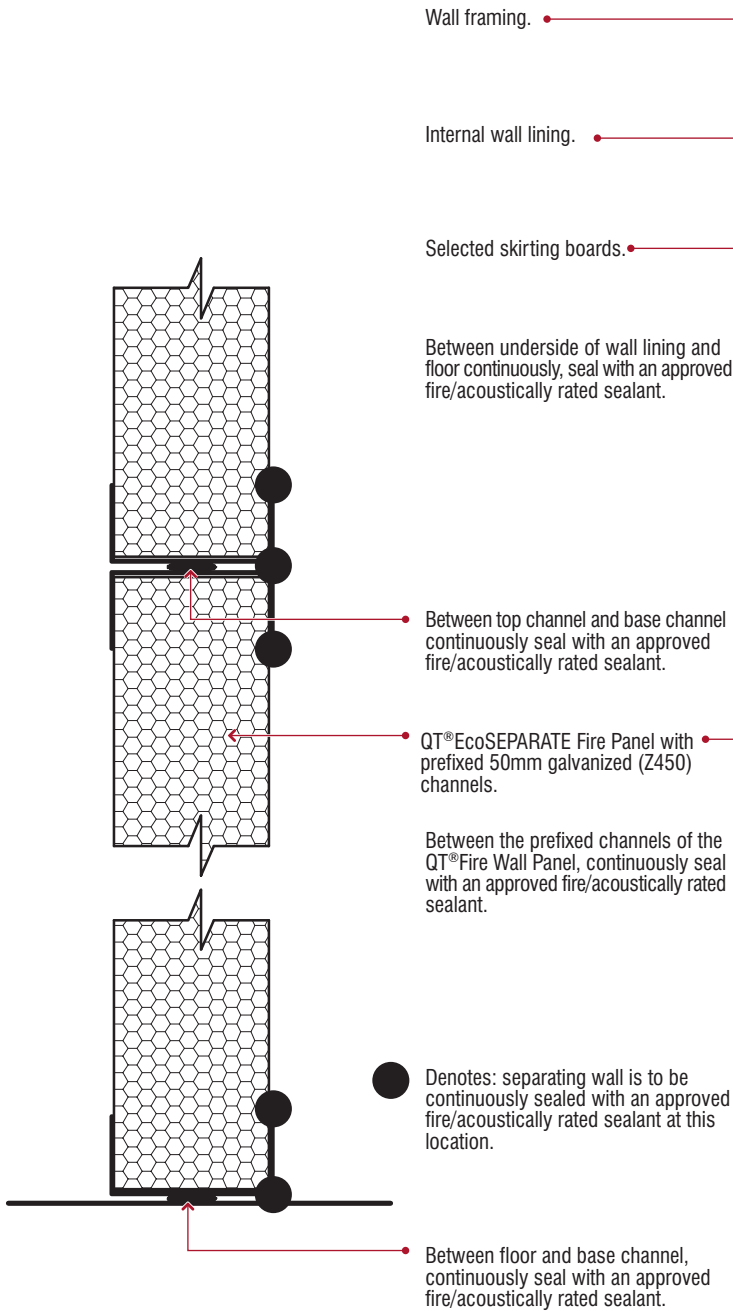


Figure 3.2b - (Plan View)

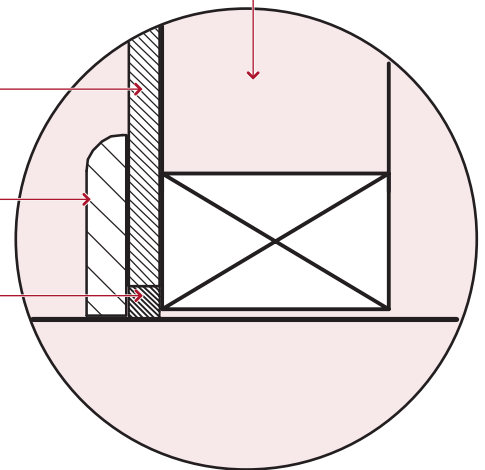


Figure 3.2c - (Plan View)

